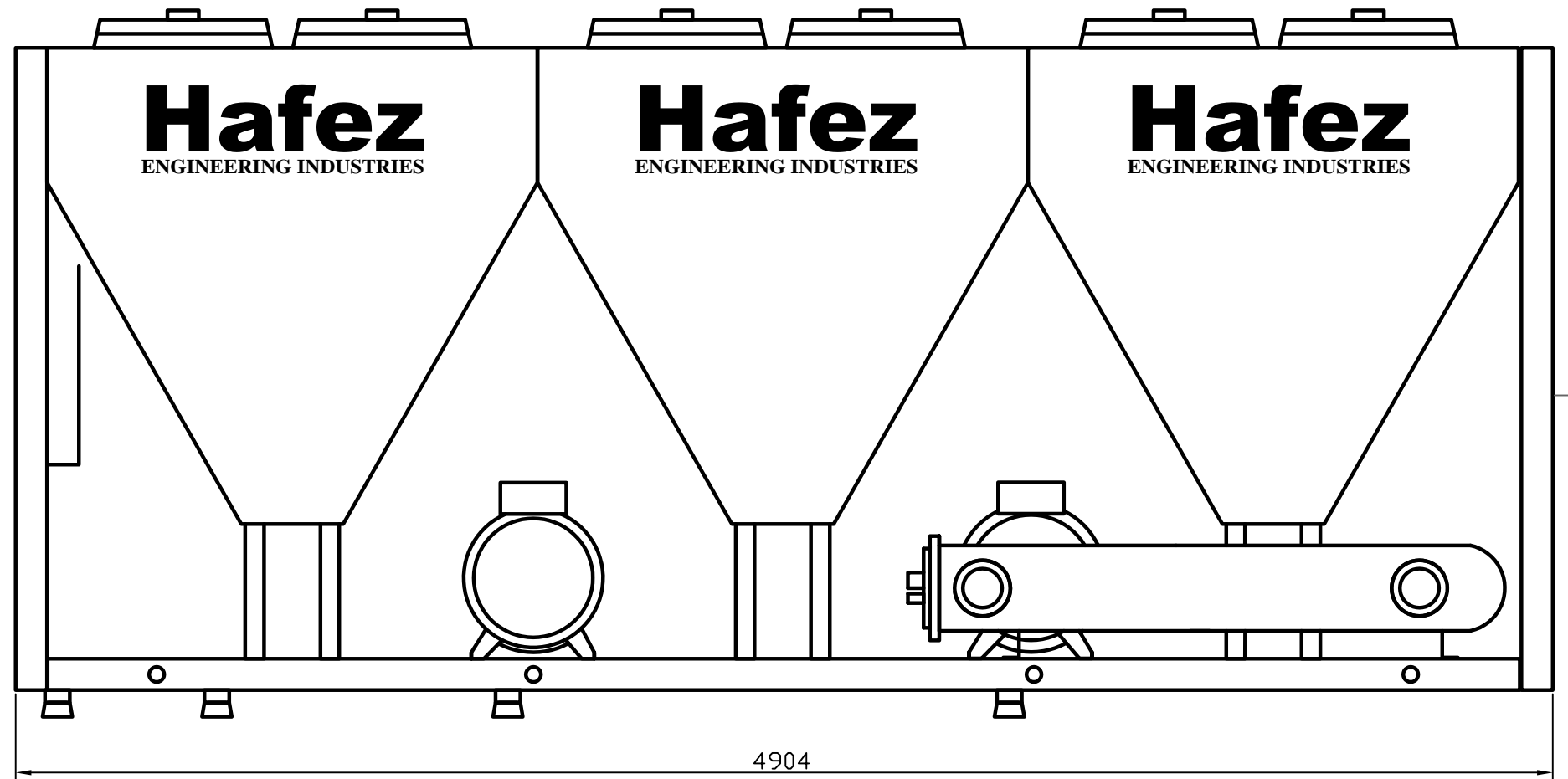
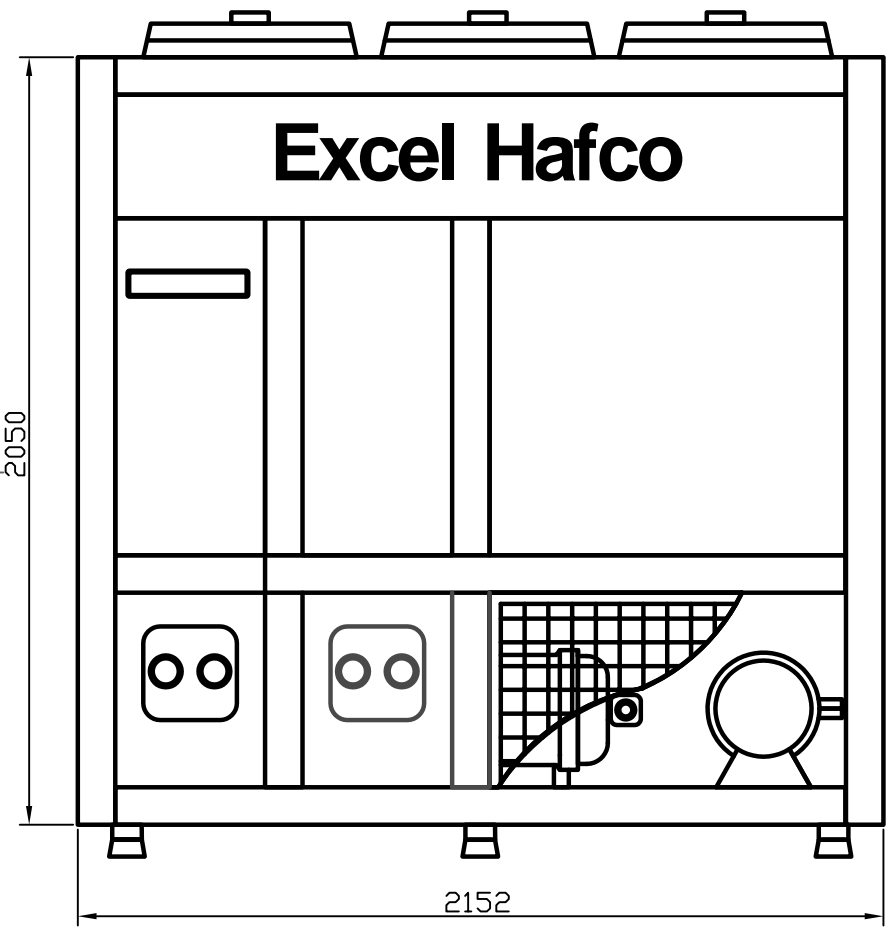


A  
B  
C  
D  
E  
F



Itemref	Quantity	Title/Name, designation, material, dimension etc	Article No./Reference		
Designed by	Checked by	Approved by - date	File name H001-01-03	Date 01/10/06	Scale
Hafez ENGINEERING INDUSTRIES		Excel Rev.0		Edition 0	Sheet 1/1